



# 9/16" BORE STAINLESS STEEL CYLINDER

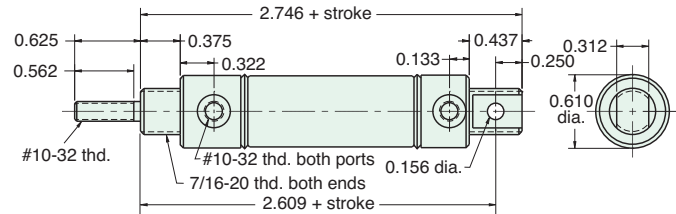
## UDR-09-□-□

Double Acting



**Mount:** Universal      **Standard Stroke Lengths:** 1/2", 1", 1-1/2", 2", 3", 4"  
**Type:** Rotating Rod      **Maximum Stroke:** 43"  
**Options:** M, B, V, N, P2, P3, P4, P5, P6, P7, P8

For B option add 0.125



Furnished without nut(s). See Chart below.



## MOUNTING NUTS

### Stud Nut

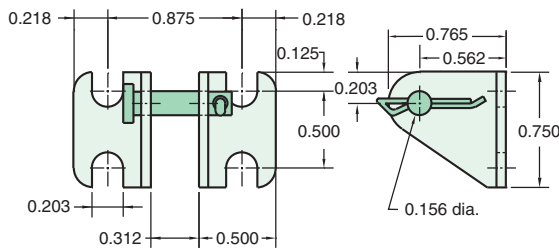
Part Number	Across Flats	Nut Thickness	Nut (Thread)
<b>N07-20</b>	11/16"	1/4"	7/16-20

### Rod Nut

Part Number	Across Flats	Nut Thickness	Nut (Thread)
<b>N03-32</b>	3/8"	1/8"	#10-32

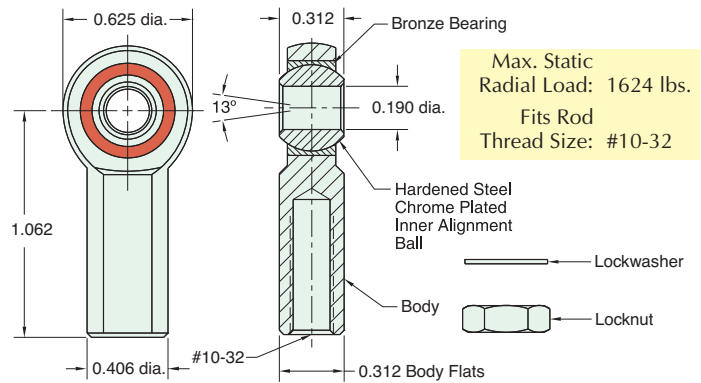
## CB-0895

Clevis Bracket  
Material: Steel, bright zinc plated



## RE-0885

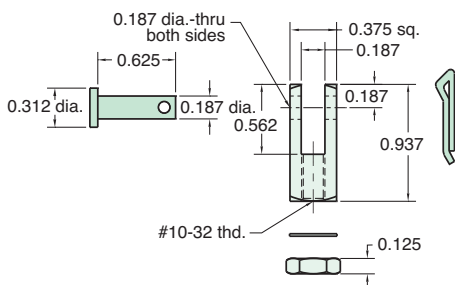
Rod End  
Material: Steel, bright zinc plated body



Max. Static Radial Load: 1624 lbs.  
Fits Rod Thread Size: #10-32

## RC-0881

Rod Clevis  
Material: Steel, electroless nickel plate



## FB-0892

Foot Bracket  
Material: Steel, bright zinc plated

